



Bactericidal Joint



ESCORT - DECOWOOD

ESCORT - ANODISED

ROUND HANDRAIL - DIAMETER 40MM

Applications

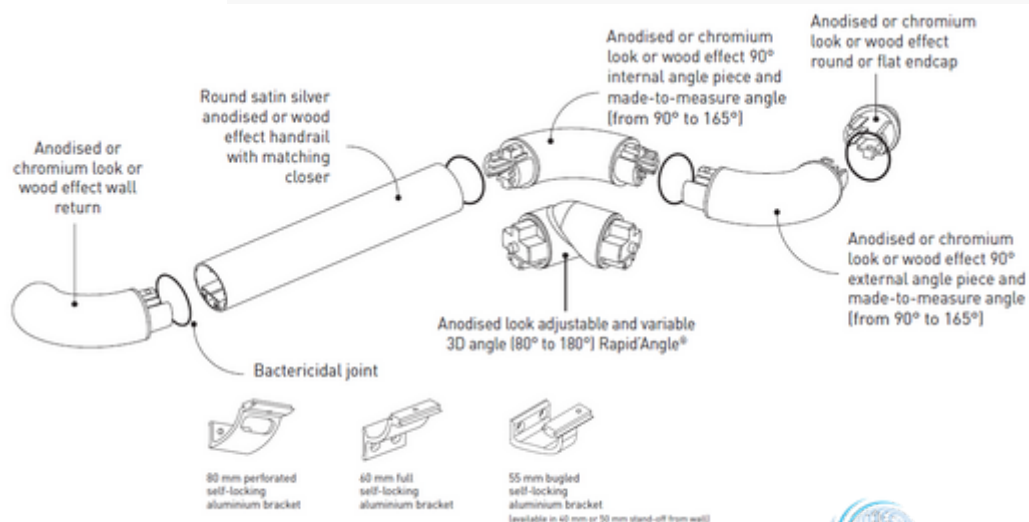
Particularly elegant handrails with a wood effect or an aluminium finish (satin silver anodised) and curved, unobtrusive brackets. They are ideal for all buildings open to the public: corridors and stairways in retirement homes, schools, hotels, residential apartment buildings, offices, etc. Escort can be bent for curved sections. A removable system is available to provide continuation of the handrail in front of service ducts. They are fitted with bactericidal joints.

Specification

- Description : round wood effect handrail (Escort - Decowood as manufactured by SPM) or satin silver anodised aluminium (Escort - Anodised as manufactured by SPM) with a diameter of 40 mm and an overall projection and height of 80 mm. It consists of a 1.5 mm thick continuous aluminium profile and a matching closer underneath. A protective film is specified to minimise cleaning before acceptance. Various smooth and antibacterial PVC accessories (round or flat endcaps, external and internal 90° angle pieces or made-to-measure from 90 to 165°, wall returns), supplied with bactericidal joints, are available in wood effect or anodised look or chromium look to finish the handrail assembly. Wall fixing is by 40 mm deep satin silver anodised aluminium brackets with 2-point self-locking: curved and perforated (80 mm wide), curved and full (60 mm wide) or bugled (55 mm wide). The section comprises a groove into which brackets, accessories and matching closer slide and lock. Accessories are fitted on the section and fixed with locking screws. All technical solutions are available to ensure continuity around corners (90° or

made-to-measure), in staircases (slope link or 3-way "universal joint" rotation angle -Rapid'Angle as manufactured by SPM-), across service ducts (quick removable assembly wedge or articulated link -Rapid'Access as manufactured by SPM-) and around curved sections (pre-curved in the factory).

- Environment: no heavy metals and no substance potentially subjected to any REACH restriction are used in its manufacture, nor PBT/BPA. The calcium-zinc thermal stabilisation process is used. The emission level of volatile substance in inside air has been tested according to ISO 16000-6 and is very low (A+) according to the French regulation (23 March 2011 nr 2011-321 Decree and 19 April 2011 Order). 100% of the product are recyclable.
- Colour: selected by architects from manufacturer's standard range.
- Installation method: upper edge of section 0.90 m max. above floor level. Fixes to 2-point self-locking perforated aluminium brackets screwed to the wall at 1.20 m centres (0.80 m centres in heavy traffic corridors and on light partitions like plasterboard). Wall returns, endcaps and angles to be fixed with 2.5 mm Allen clamping screws.



Escort - Decowood
3 finishes
for accessories



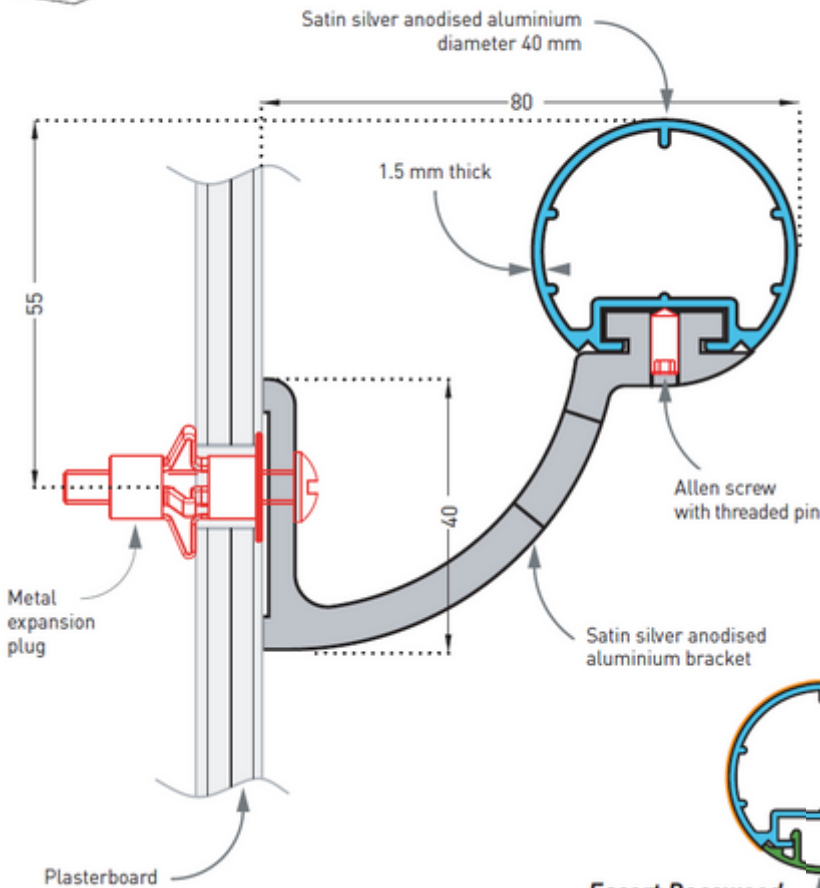
Escort - Decowood
5 wood effect colours



Escort - Anodised

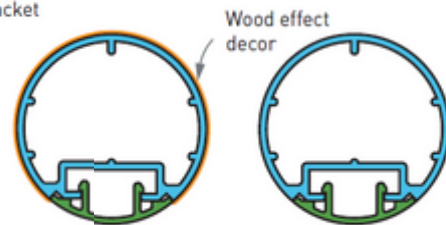


80 mm perforated
self-locking satin silver anodised
aluminium bracket (overall projection 80 mm)



Description

- Model: Escort - Decowood or Escort - Anodised round handrail
- Diameter: 40 mm
- Length: 4 m
- Overall projection: 80 mm or 90 mm
- Stand-off from wall: 40 mm or 50 mm
- Material: 10 micron satin silver anodised aluminium or wood effect PVC
- Fixing components: 2-point self locking brackets, satin silver anodised aluminium, screwed to wall at 1.20 m centres (0.80 m centres in heavy traffic corridors and on light partitions like plasterboard)
- Colours:
 - 5 wood effect colours for Escort - Decowood
 - Satin silver anodised for Escort - Anodised
 - Coating on request.



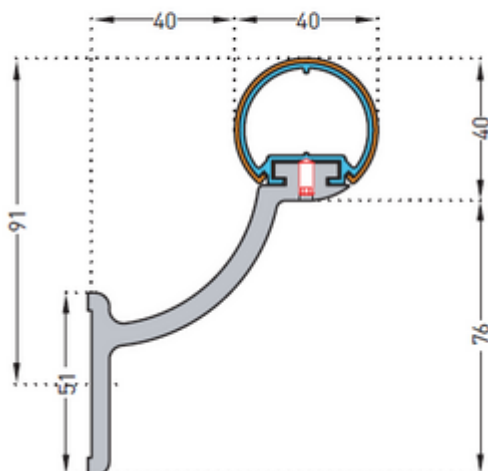
Escort Decowood

Escort Anodised

Matching closer



60 mm full
self-locking satin silver anodised
aluminium bracket
(overall projection 80 mm)



55 mm bugled
self-locking satin silver anodised
aluminium bracket
(available in 40 mm or 50 mm stand-off from wall)
(overall projection 80 mm or 90 mm)

