

SPM HANDRAILS

Providing a good grip is a priority. SPM handrails have been designed with the greatest of care to aid mobility. Essentially, they are ergonomic, and provide both visual guidance (use of contrast provided by colours) and wall protection. Our systems are available in antibacterial PVC or aluminium and can be adapted to fit any surface: walls where there are service ducts, curved walls, corners which are not 90°, staircases, while respecting the original decor.



SPM handrails protect against hand-borne infections

Inside establishments open to the public, and especially in health-care institutions, hygiene and the prevention of microbial contamination are permanent concerns. In particular, the hands form a significant vector for the carriage and transmission of contamination, which may be deposited on handrails. According to research, 75 to 90% of in-hospital infection in health-care establishments may be due to hand-borne transmission. Rough edges on the handrail, at the junctions between profile sections and finisher accessories, collect the majority of contamination and are the most difficult points to clean.

For this reason, all SPM handrails are fitted with bactericidal joints, treated integrally and undamaged by cleaning. Their bactericidal action, proved by an independent laboratory, complements the bacteriostatic and antibacterial properties of our handrails, almost have a smooth finish.

SPM handrails provide effective help in the fight against the growth of microorganisms and the spread of infection.

www.surfaceform.co.nz
projects@surfaceform.co.nz
(09) 972 7682



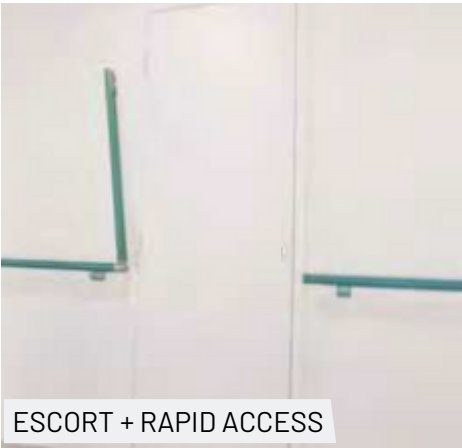
SURFACE FORM



ESCORT



ESCORT



ESCORT + RAPID ACCESS

SOLUTIONS



STARLINE



ESCORT + RAPID ANGLE



COMBO



LINEA'TOUCH

SPM HANDRAILS



PROTECTION HANDRAILS

COMBO'DUO
Protection handrail



COMBO'DUAL
Protection handrail



STARLINE - PVC SHEATHED
Handrail with PVC band



STARLINE - ANODISED
Aluminium handrail
with PVC band



STARLINE - DECOWOOD
Aluminium handrail
with wood effect band



STARLINE - DECOTREND
Aluminium handrail
with trend effect band



	Code	Description	Material	Colour range
PERFORMER 2		Protection handrail, diameter 40 mm	PVC + aluminium	15 colours
COMBO'DUO		Protection handrail, diameter 38 mm	PVC + aluminium	31 colours
COMBO'DUAL		Protection handrail, diameter 40 mm	PVC + aluminium	31 colours
STARLINE - PVC SHEATHED		Protection handrail with PVC band	PVC-sheathed aluminium + PVC band	33 colours for the band 2 colours for the sheath
STARLINE - ANODISED		Aluminium handrail with PVC band	Aluminium + PVC band	33 colours for the band
STARLINE DECOWOOD OR DECOTREND		Aluminium handrail with wood or trend effect band	Aluminium + wood or trend effect band	7 wood effect colours and 4 trend effect colours for the band





HANDRAILS

LINEA'TOUCH - PVC SHEATHED
Trilobed handrail width 40mm



LINEA'TOUCH - DECOWOOD
Wood effect trilobed handrail
width 40mm



LINEA'TOUCH - ANODISED
Trilobed aluminium handrail
width 40mm



ESCORT - PVC SHEATHED
Round handrail, diameter 40mm



ESCORT - DECOWOOD
Wood Effect round handrail,
diameter 40mm



ESCORT - ANODISED
Aluminium round handrail,
diameter 40mm



	Code	Description	Material	Colour range
LINEA'TOUCH - PVC SHEATHED		Trilobed handrail, width 40 mm	PVC + aluminium	31 colours
LINEA'TOUCH - DECOWOOD		Wood effect trilobed handrail, width 40 mm	PVC + aluminium	5 wood effect colours
LINEA'TOUCH - ANODISED		Trilobed aluminium handrail, width 40 mm	Aluminium	Satin silver anodised
ESCORT - PVC SHEATHED		Round handrail, diameter 40 mm	PVC + aluminium	31 colours
ESCORT - DECOWOOD		Wood effect round handrail, diameter 40 mm	PVC + aluminium	5 wood effect colours
ESCORT - ANODISED		Aluminium round handrail, diameter 40 mm	Aluminium	Satin silver anodised (or coated on request)





NEW



COMBO'DUO

Bactericidal Joint

→ WALL PROTECTION AND HANDRAIL - 160 MM HIGH

Applications

This product combines handrail and protection rail to ensure a maximum efficiency.

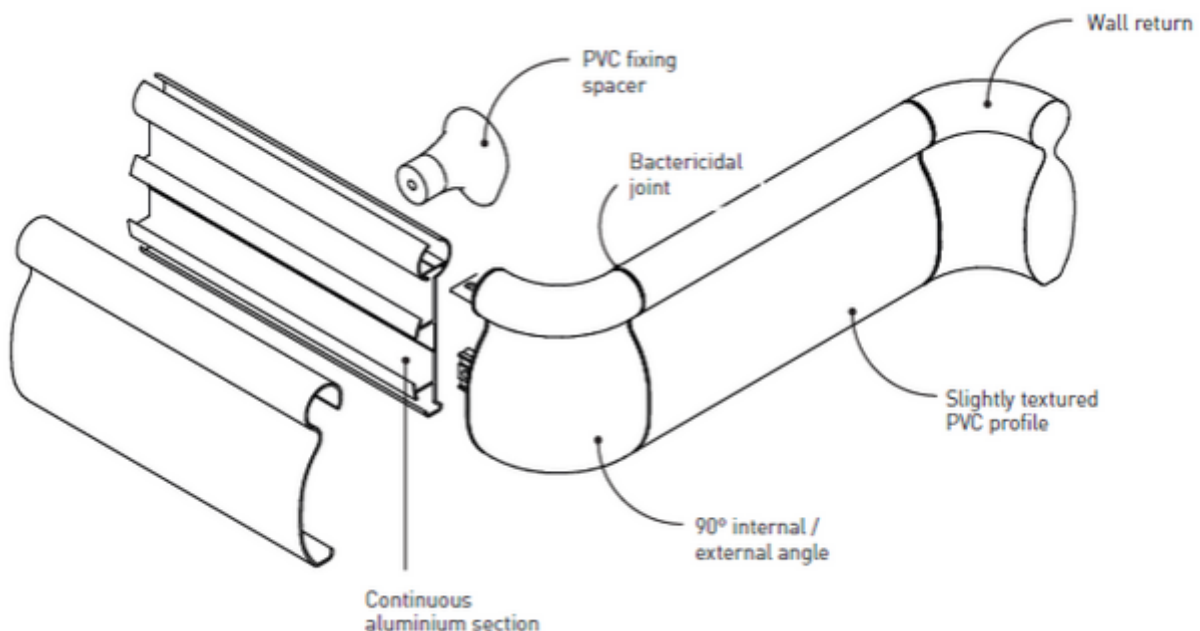
Combo'Duo 160 is perfect for hospitals, clinics or re-education centers, and its slightly textured finish helps to conceal the effect of abrasion and gives it a matte finish.

Specification

- Description : hand and wall protection rail (Combo'Duo as manufactured by SPM) from 2 mm thick slightly textured (Optimixt grain as manufactured by SPM) and antibacterial PVC achieving Bs2d0 fire rating with solid colour. The 160 mm high system combines a tubular upper part (diameter 38 mm) and a lower wall protection rail slightly textured. The PVC profile snap-fixes onto a continuous aluminium section and finish is provided by slightly textured PVC accessories (wall returns, 90° internal/external angles). The unit is fitted in a PVC spacer. Bactericidal joints are provided for the junctions between profile sections and accessories.
- Environment: no heavy metals and no substance potentially subjected to any REACH restriction are used in its

manufacture, nor PBT/BPA. The calcium-zinc thermal stabilisation process is used. The emission level of volatile substance in inside air has been tested according to ISO 16000-6 and is very low (A+) according to the French regulation (23 March 2011 nr 2011-321 Decree and 19 April 2011 Order). 100% of the product are recyclable.

- Colour: selected by architects from manufacturer's standard range. The colours of the accessories are the same as the profile of the protection handrail.
- Installation method: upper edge of section 0.90 m max. above floor level. Fixing on PVC spacers to be fitted at 0.80 m centres (0.60 m centres in heavy traffic corridors and on light partitions like plasterboard). Wall returns and angles fixing with self-drilling screws.

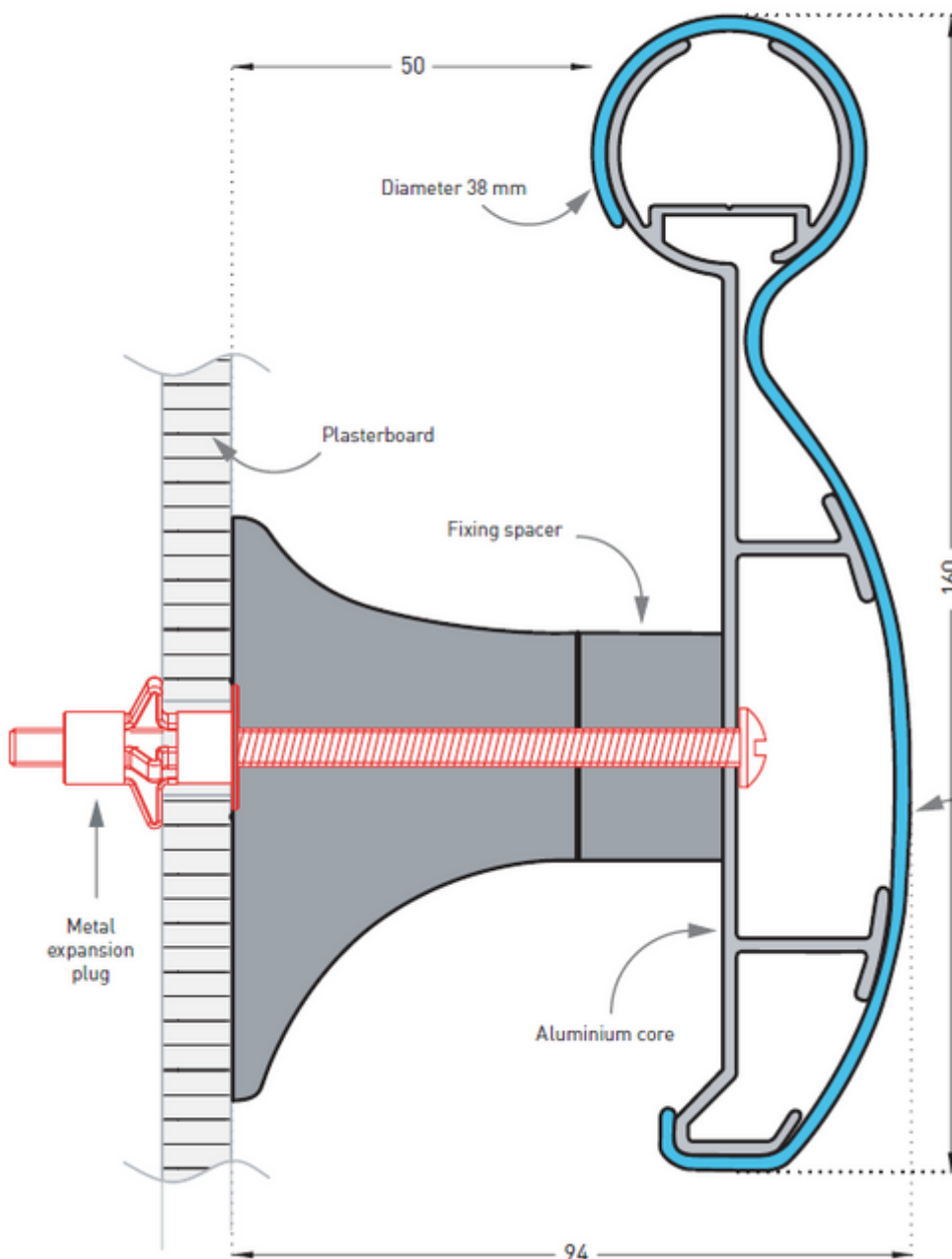


Description

- Model: Combo'Duo wall protection and handrail
- Height: 160 mm
- Length: 4 m
- Tubular upper part diameter: 38 mm
- Overall projection: 94 mm
- Stand-off from the wall: 50 mm
- Material: 2 mm thick antibacterial and Bs2d0 fire-rated PVC, solid colour, bactericidal joints
- Surface finish: slightly textured («Optimixt» grain*)
- Fixing: on PVC spacers to be fitted at 0.80 m centres (0.60 m centre in heavy traffic corridors and on light partitions like plasterboard)
- Colours: 4 standard and 27 colours on request (please consult us)

*"Optimixt" grain: optimal combination of scratch resistance, hygiene and aesthetic.

Solid colour and antibacterial slightly textured PVC profile 2 mm thick





NEW



COMBO'DUAL

Bactericidal Joint

→ WALL PROTECTION AND HANDRAIL - 200MM HIGH

Applications

Ideal solution for healthcare environments, where pedestrian support is required in addition to protection against severe impact. Combo'Dual is perfect for hospitals, clinics or re-education centers.

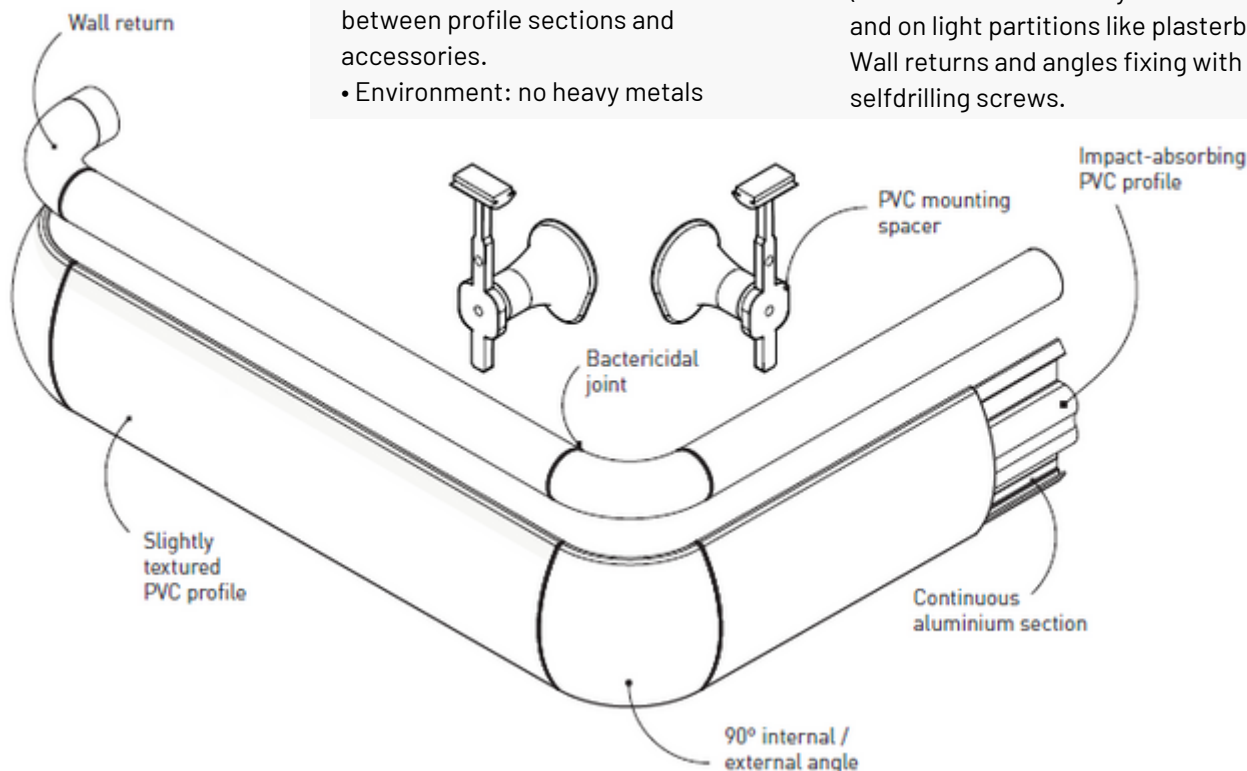
Specification

- Description : hand and wall protection rail (Combo'Dual as manufactured by SPM) from 2 mm thick slightly textured (Optimixt grain as manufactured by SPM) and antibacterial PVC achieving Bs2d0 fire rating with solid colour. The 200 mm high system combines a completely smooth tubular upper part (diameter 40 mm) and a lower wall protection rail, 125 mm high, slightly textured with a 50 mm space between upper and lower part. The PVC profile snap-fixes onto a continuous aluminium section and finish is provided by slightly textured PVC accessories (wall returns, 90° internal/external angles). The unit is fitted in a PVC mounting spacer and the tubular upper part is fixed onto the mounting spacer. Bactericidal joints are provided for the junctions between profile sections and accessories.
- Environment: no heavy metals

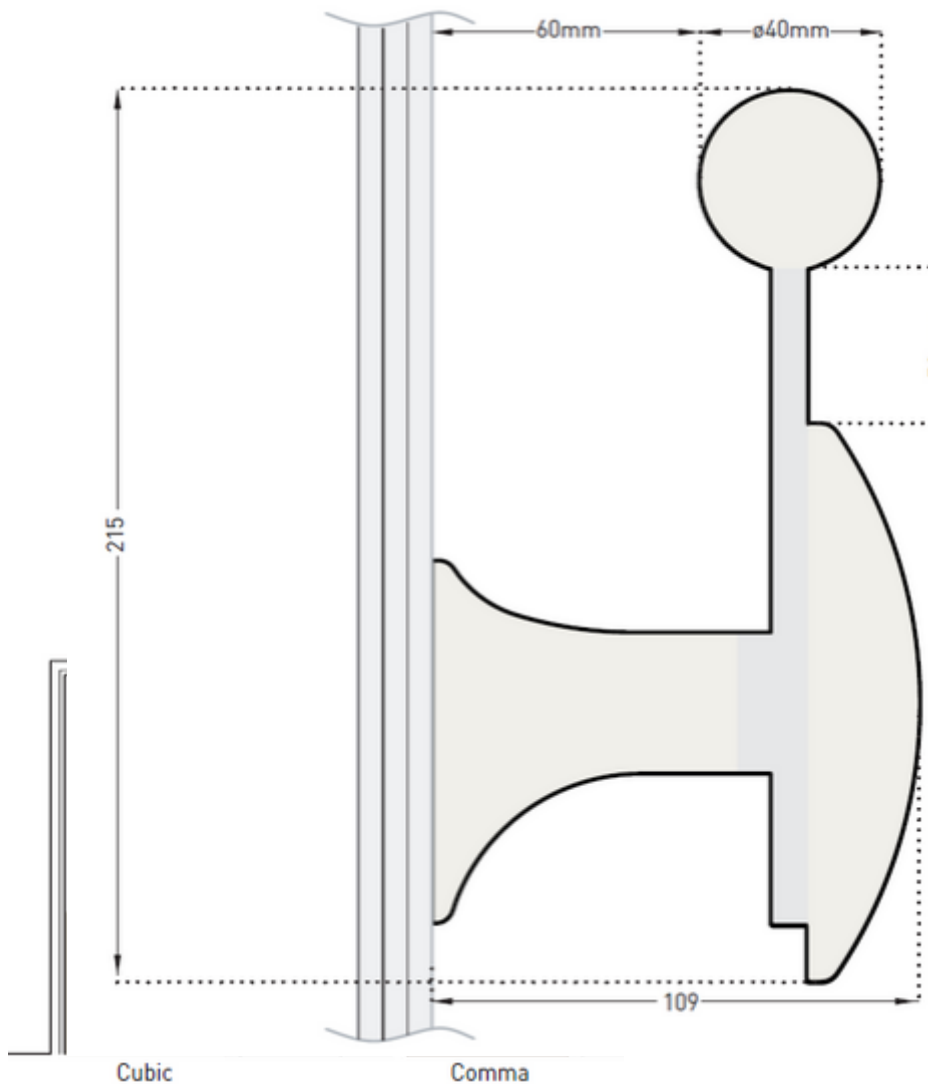
and no substance potentially subjected to any REACH restriction are used in its manufacture, nor PBT/BPA. The calcium-zinc thermal stabilisation process is used. The emission level of volatile substance in inside air has been tested according to ISO 16000-6 and is very low (A+) according to the French regulation (23 March 2011 nr 2011-321 Decree and 19 April 2011 Order). 100% of the product are recyclable.

- Colour: selected by architects from manufacturer's standard range. The colours of the accessories are the same as the profile of the protection handrail.
- Installation method: upper edge of section 0.90 m max. above floor level. Adjustable fixing on PVC mounting spacers to be fitted at 0.80 m centres (0.60 m centres in heavy traffic corridors and on light partitions like plasterboard). Wall returns and angles fixing with selfdrilling screws.

One colour



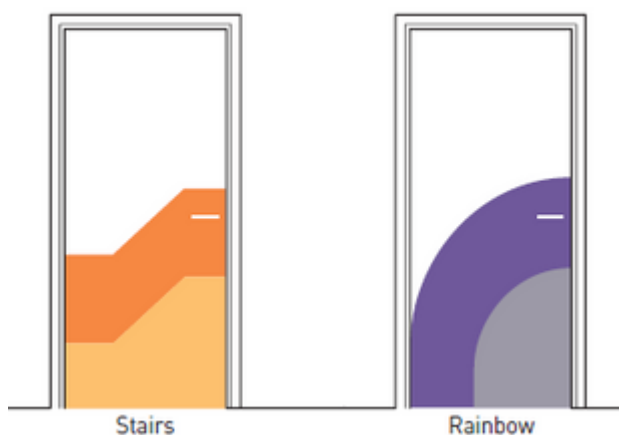
Two-colour



Description

- Model: Combo'Duo wall protection and handrail
- Height: 200 mm
- Length: 4 m
- Tubular upper part diameter: 40 mm
- Overall projection: 109 mm
- Stand-off from the wall: 60 mm
- Material: 2 mm thick antibacterial and Bs2d0 fire-rated PVC, solid colour, bactericidal joints
- Surface finish: slightly textured («Optimixt» grain*)
- Fixing: on PVC mounting spacers to be fitted at 0.80 m centres (0.60 m centre in heavy traffic corridors and on light partitions like plasterboard)
- Colours:
 - 4 standard
 - 27 colours on request

*"Optimixt" grain: optimal combination of scratch resistance, hygiene and aesthetic.





Bactericidal Joint



STARLINE - PVC SHEATHED

STARLINE - ANODISED

➔ HANDRAILS WITH PVC BAND - 90MM HIGH

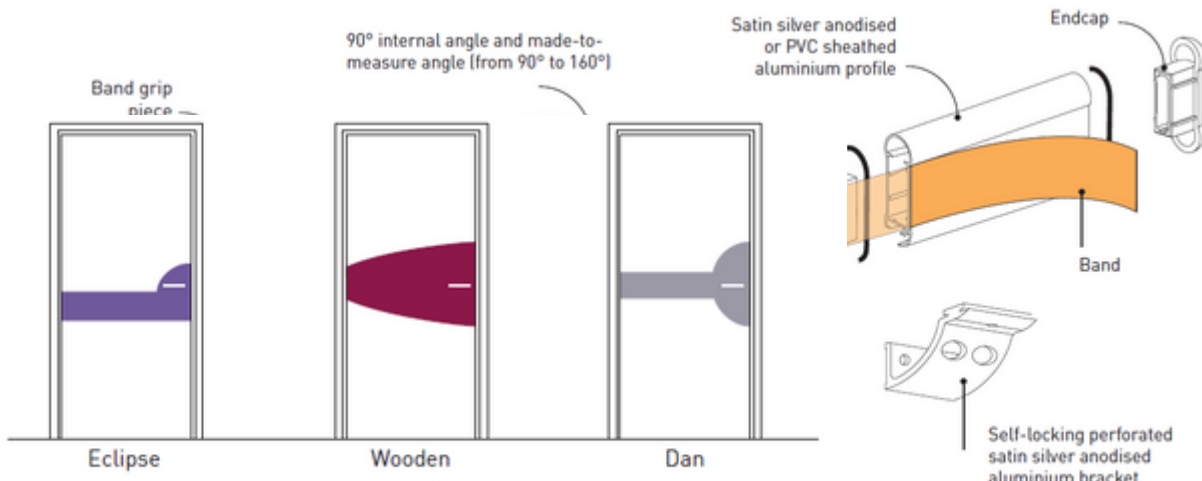
Applications

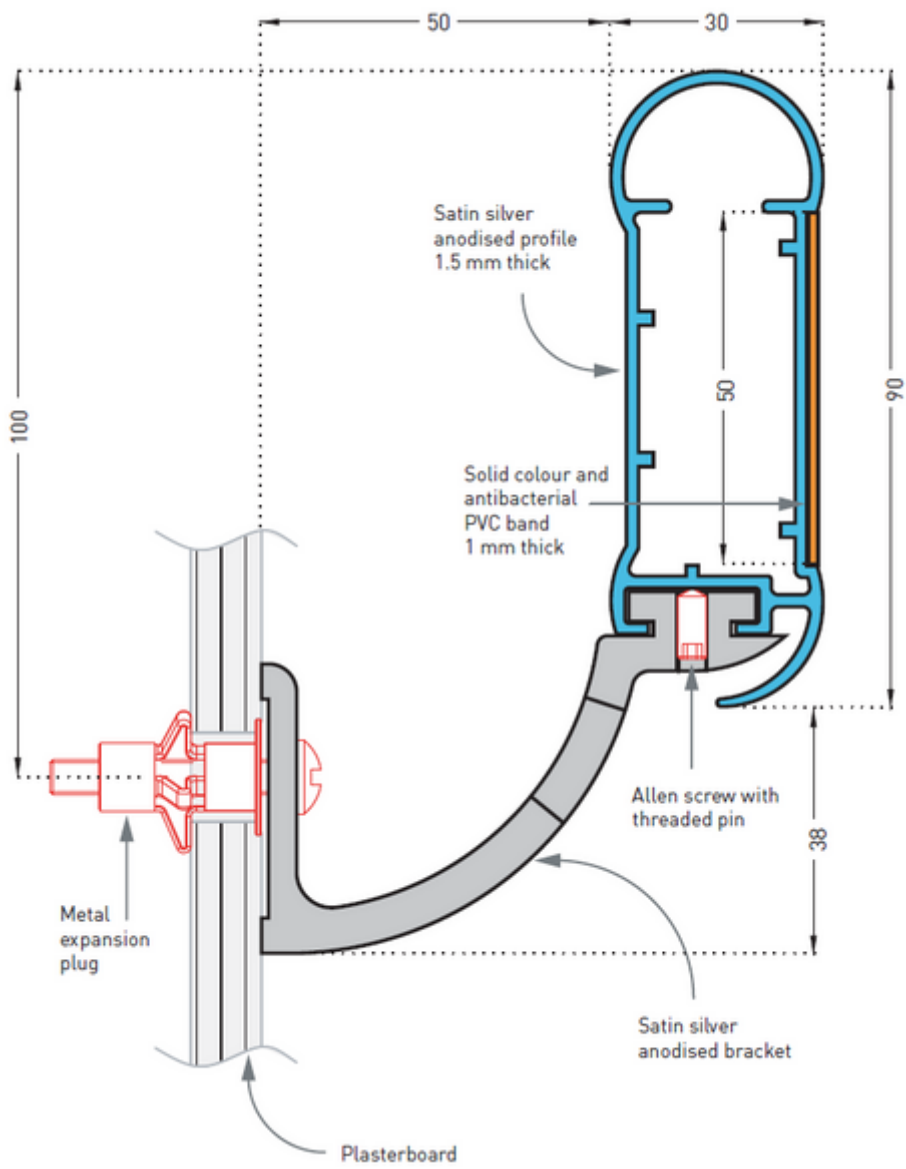
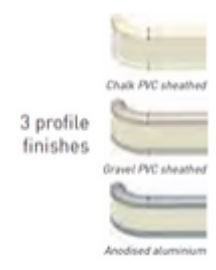
A combination of technology and elegant design, the Starline range is the ideal solution for all straight and curved corridor areas in public buildings: hospitals, clinics, retirement homes, hotels, offices. Starline can be bent for curved sections. A removable system is available to provide continuation of the handrail in front of service ducts. It is fitted with bactericidal joints.

Specification

- Description : PVC sheathed or anodised aluminium handrail with a slightly textured PVC band (Starline - PVC sheathed or Starline - Anodised as manufactured by SPM). The height of the handrail is 90 mm, it has an overall projection of 80 mm and a depth of 30 mm. It consists of a 1.5 mm thick continuous aluminium profile covered by a 1.5 mm thick smooth and antibacterial PVC sheath achieving Bs2d0 fire rating with solid colour (Starline - PVC sheathed) or a 1.5 mm thick continuous aluminium profile (Starline - Anodised). Various smooth and antibacterial PVC accessories with solid colour (wall returns, 90° internal and external angle pieces or made-to-measure from 90° to 160°, end caps), supplied with bactericidal joints, are available to finish the handrail assembly. Wall fixing is by satin silver anodised aluminium brackets, 40 mm deep, curved and perforated with 2-point self-locking. The section comprises a groove into which brackets, accessories slide and lock.

- Accessories are fitted on the section and fixed with locking screws. A self-adhesive slightly textured PVC band is bonded to the rail assembly. The profile can be curved.
- Environment: no heavy metals and no substance potentially subjected to any REACH restriction are used in its manufacture, nor PBT/BPA. The calcium-zinc thermal stabilisation process is used. The emission level of volatile substance in inside air has been tested according to ISO 16000-6 and is very low (A+) according to the French regulation (23 March 2011 nr 2011-321 Decree and 19 April 2011 Order). 100% of the product are recyclable.
- Colour: selected by architects from manufacturer's standard range.
- Installation method: upper edge of section 0.90 m max. above floor level. Fixes to self-locking 2-point perforated brackets screwed to the wall at 1.20 m centres (0.80 m centres in heavy traffic corridors and on light partitions like plasterboard). Wall returns, angles and end caps to be fixed with pop rivets.

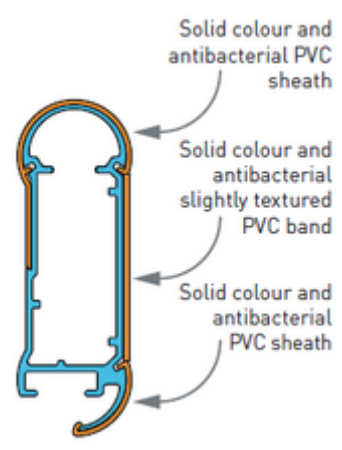




Anodised Starline

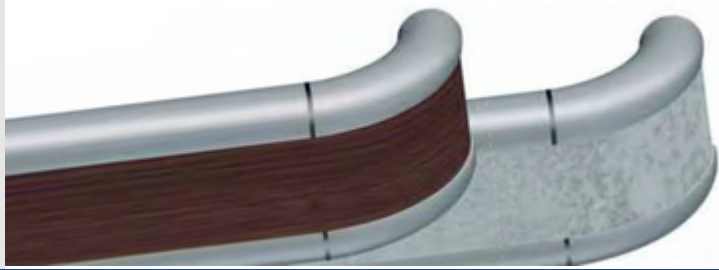
Description

- Model: Starline anodised aluminium or antibacterial PVC-sheathed handrail with a PVC band
- Height: 90 mm
- Depth: 30 mm
- Length: 4 m
- Overall projection: 80 mm
- Stand-off from wall: 50 mm
- Material: satin silver anodised aluminium profile with a PVC band, or aluminium profile with an antibacterial and Bs2d0 fire-rated PVC sheath and a PVC band, bactericidal joints
- Fixing components: 2-point self-locking perforated satin silver anodised aluminium brackets, screwed to wall at 1.20 m centres (0.80 m centres in heavy traffic corridors and on light partitions like plasterboard)
- Colours:
 - 3 finishes for aluminium profile
 - 33 colours for PVC band



Starline with PVC Sheath





Bactericidal Joint



STARLINE - DECOWOOD

STARLINE - DECOTREND



ALUMINIUM HANDRAILS WITH WOOD OR TREND EFFECT BAND - 90MM HIGH

Applications

The Decowood or Decotrend Starline provide both a good grip and a stylish decorative touch with their wood or trend effect band. They are ideally suited for straight and curved corridor areas with light traffic of trolleys in public buildings: hospitals, clinics, retirement homes, hotels, offices. Starline can be bent for curved sections. A removable system is available to provide continuation of the handrail in front of service ducts. They are fitted with bactericidal joints.

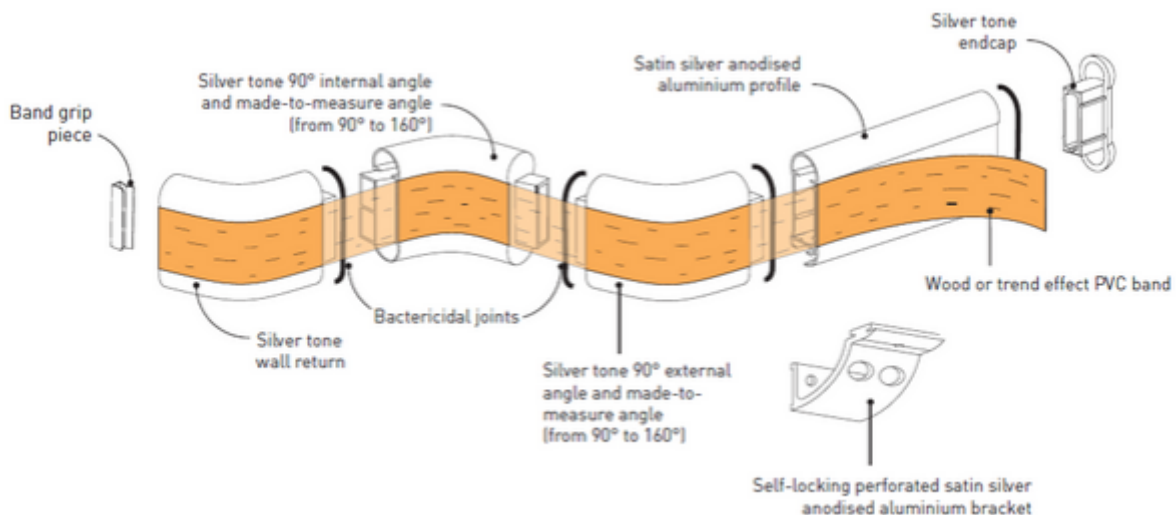
Specification

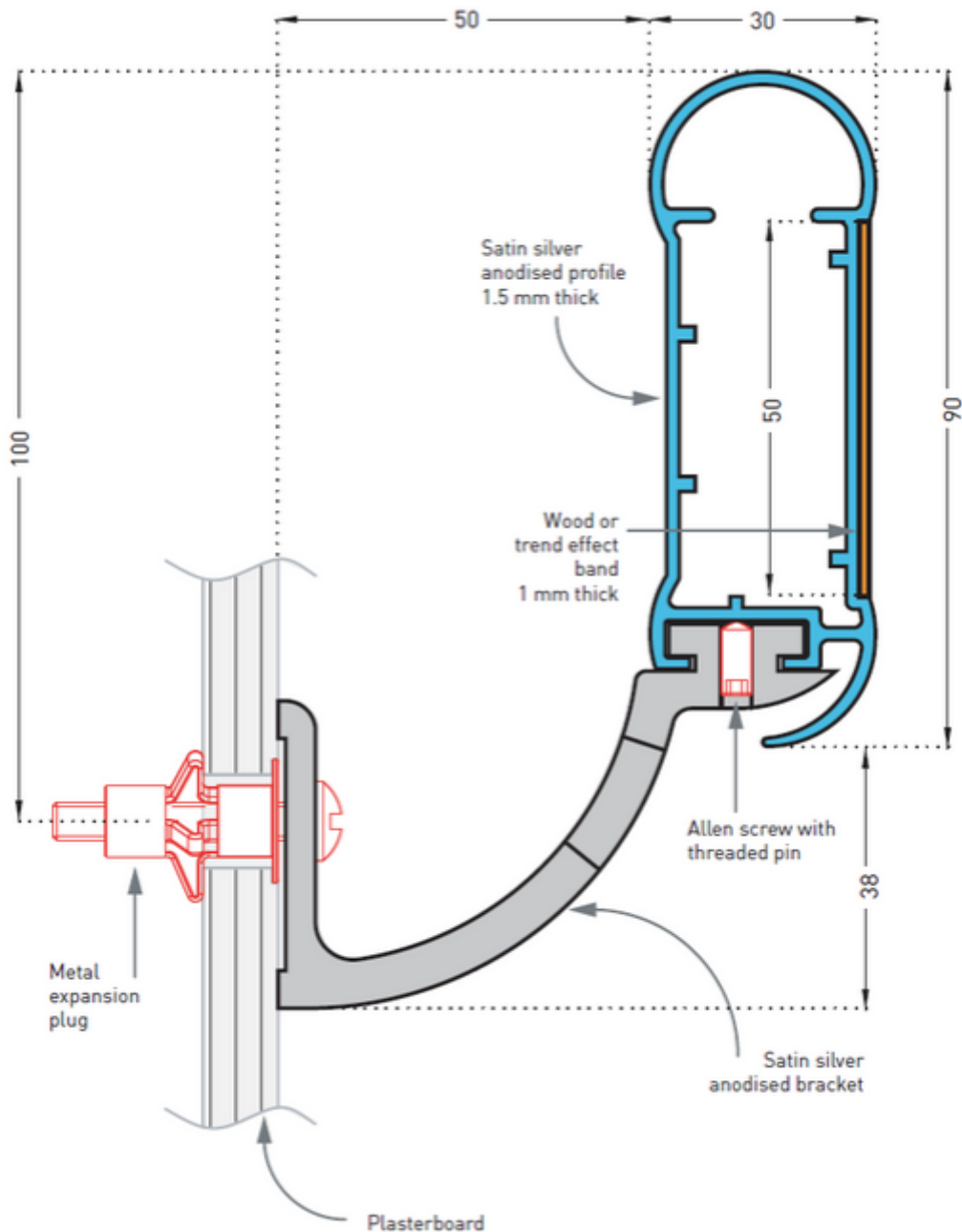
- Description : anodised aluminium handrail with a wood or trend effect PVC band (Starline - Decowood or Starline - Decotrend as manufactured by SPM). The height of the handrail is 90 mm, it has an overall projection of 80 mm and a depth of 30 mm. It consists of a 1.5 mm thick continuous and satin silver anodised aluminium profile. Various smooth and antibacterial PVC accessories with solid colour (wall returns, 90° internal and external angle pieces or made-to-measure from 90° to 160°, endcaps), supplied with bactericidal joints, are available in silver tone to finish the handrail assembly. Wall fixing is by satin silver anodised aluminium brackets, 40 mm deep, curved and perforated with 2-point self-locking. The section comprises a groove into which brackets, accessories slide and lock. Accessories are fitted on the section and fixed with locking screws. A self-adhesive wood or

trend effect PVC band is bonded to the rail assembly. The profile can be curved.

- Environment: no heavy metals and no substance potentially subjected to any REACH restriction are used in its manufacture, nor PBT/BPA. The calcium-zinc thermal stabilisation process is used. The emission level of volatile substance in inside air has been tested according to ISO 16000-6 and is very low (A+) according to the French regulation (23 March 2011 nr 2011-321 Decree and 19 April 2011 Order). 100% of the product are recyclable.

- Colour: selected by architects from manufacturer's standard range.
- Installation method: upper edge of section 0.90 m max. above floor level. Fixes to self-locking 2-point perforated brackets screwed to the wall at 1.20 m centres (0.80 m centres in heavy traffic corridors and on light partitions like plasterboard). Wall returns, angles and endcaps to be fixed with pop rivets.





Description

- Model: Starline Decowood or Decotrend anodised aluminium handrail with wood or trend effect PVC band
- Height: 90 mm
- Depth: 30 mm
- Length: 4 m
- Overall projection: 80 mm
- Stand-off from wall: 50 mm
- Material: satin silver anodised aluminium profile with wood or trend effect PVC band, Bs2d0 fire rated, bactericidal joints
- Fixing components: 2-point self-locking perforated satin silver anodised aluminium brackets, screwed to wall at 1.20 m centres (0.80 m centres in heavy traffic corridors and on light partitions like plasterboard)
- Colours for the band:
 - 7 wood effect
 - 4 trend effect



LINEA'TOUCH - PVC SHEATHED

Bactericidal Joint

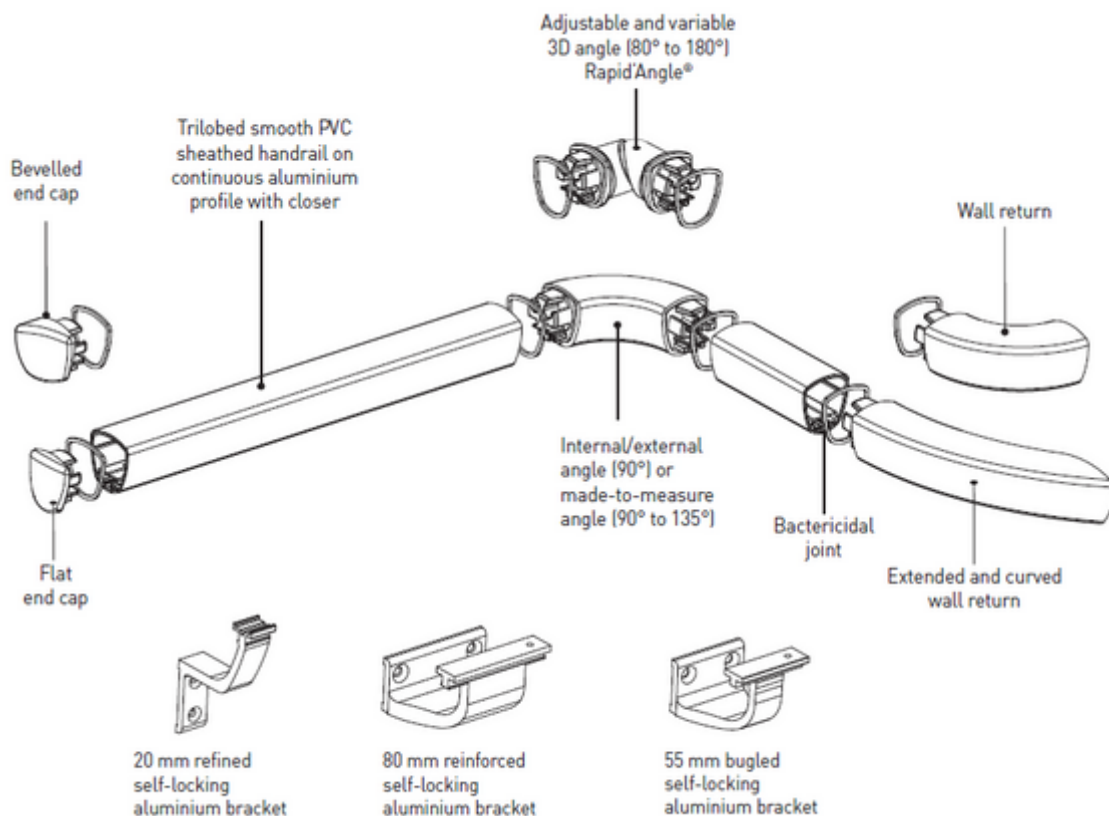
TRILOBED HANDRAILS - 40MM WIDTH

Applications

Developed with the help of architects and designers, the Linea'Touch handrail combines design, ergonomics and extreme impact resistance. Its exclusive trilobed shape validated by ergonomics provides an excellent grip while protecting the walls effectively and discreetly. Thanks to its large choice of accessories and colours for endless combinations, Linea'Touch handrail is also available in a reinforced version in order to offer an unity of design throughout the building, whatever the level of protection required. Linea'Touch can be used in all public areas, delivering aesthetic harmony from light to heavy traffic areas: hospitals, clinics, retirement homes, hotels, public buildings, offices. It can be bent and provides various technical solutions for continuity in staircases and in front of service ducts. It is fitted with bactericidal joints.

Description

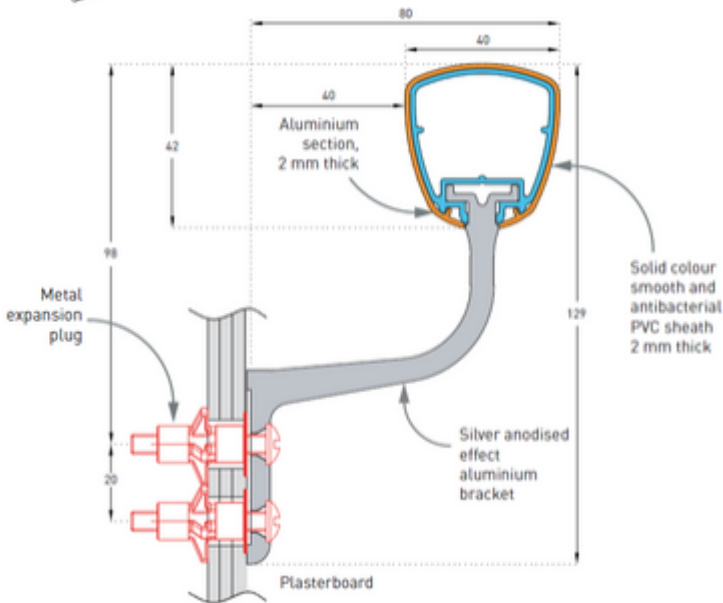
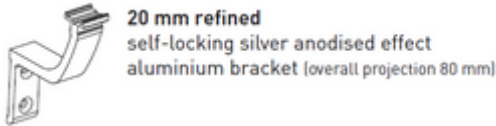
- Model: PVC sheathed Linea'Touch and Linea'Touch+ (reinforced version) trilobed handrail
- Cross section: height 42 mm x width 40 mm
- Length: 4 m
- Overall Projection: 80 mm (90 mm on request)
- Stand-off from wall: 40 mm (50 mm on request)
- Material: antibacterial and Bs2d0 fire-rated PVC, solid colour, on continuous aluminium profile, bactericidal joints
- Fixing components: refined, bugled or reinforced, 2 point self-locking aluminium brackets, silver anodised effect, screwed to the wall every 1.20 m (0.80 m centres in heavy traffic areas and on light partitions like plasterboard.)
- Colours: 31 standard



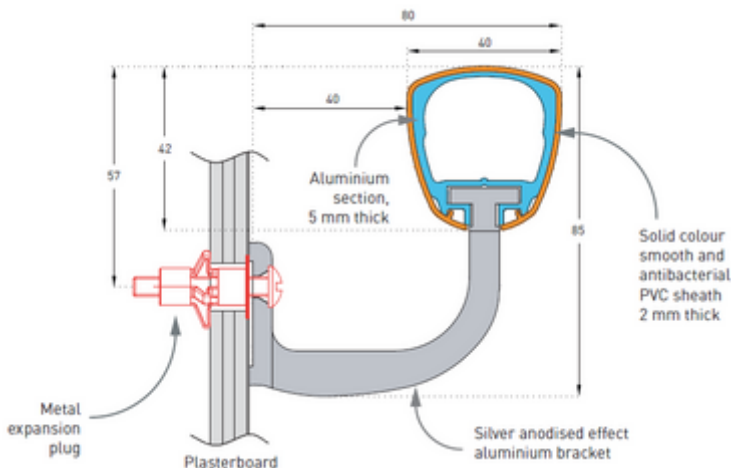
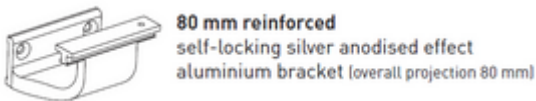
Linea'Touch
with PVC sheath
31 colours



LINEA'TOUCH

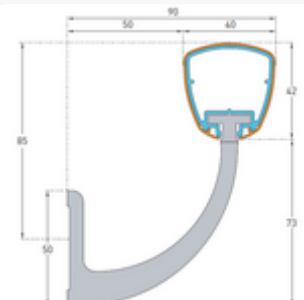


LINEA'TOUCH+ -REINFORCED VERSION-



Specification

- Description : trilobed handrail with antibacterial PVC sheath (Linea'Touch PVC sheathed as manufactured by SPM) with a cross section from 28 to 40 mm to give it an ergonomic and anti-rotation design. It is 42 mm high and projects 80 mm from the wall. The axial position of its brackets provides an excellent guiding. It consists of a 2 mm thick continuous aluminium profile, or a 5 mm one for the reinforced version, covered by a 2 mm thick smooth and antibacterial, PVC sheath, achieving Bs2d0 fire-rating with solid colour, and a closer underneath. A protective film is specified to minimise cleaning before acceptance. Various smooth and antibacterial PVC accessories with solid colour (flat or bevelled endcaps, classic or extended and curved wall returns), supplied with bactericidal joints, are available to finish the handrail assembly and connect to the profile with joiner pieces. Wall fixing is by silver anodised effect aluminium brackets with 2-point self-locking: 20 mm wide refined bracket or 55 mm wide bugled bracket (for Linea Touch) or 80 mm wide reinforced bracket (for the reinforced Linea'Touch+). The section comprises a groove into which brackets, accessories and closer slide and lock. All technical solutions are available to ensure continuity around corners (90° or made-to-measure), in staircases (3-way "universal joint" rotation angle -Rapid'Angle as manufactured by SPM), across service ducts (Quick removable assembly wedge) and around curved sections (pre-curved in the factory). These handrails achieve an impact resistance in excess of 70 Joules -i.e. an impact of more than 220 kg travelling at 2 kmh- (for Linea'Touch) and of 110 Joules -i.e. an impact of more than 320 kg travelling at 2 kmh- (for the reinforced version Linea'Touch+).
- Environment: no heavy metals and no substance potentially subjected to any REACH restriction are used in its manufacture, nor PBT/BPA. The calcium-zinc thermal stabilisation process is used. The emission level of volatile substance in inside air has been tested according to ISO 16000-6 and is very low (A+) according to the French regulation (23 March 2011 nr 2011-321 Decree and 19 April 2011 Order). 100% of the product are recyclable.
- Colour: selected by architects from manufacturer's standard range. The colours of the accessories are the same as the profile of the protection handrail.
- Installation method: upper edge of section 0.90 m max. above floor level. Fixes to 2-point self-locking aluminium brackets screwed to the wall at 1.20 m centres (0.80 m centres in heavy traffic corridors and on light partitions like plasterboard). Wall returns, endcaps and angles to be fixed with 2.5 mm Allen clamping screws.





Bactericidal Joint



LINEA'TOUCH - DECOWOOD | LINEA'TOUCH - ANODISED

TRILOBED HANDRAILS - 40MM WIDTH

Applications

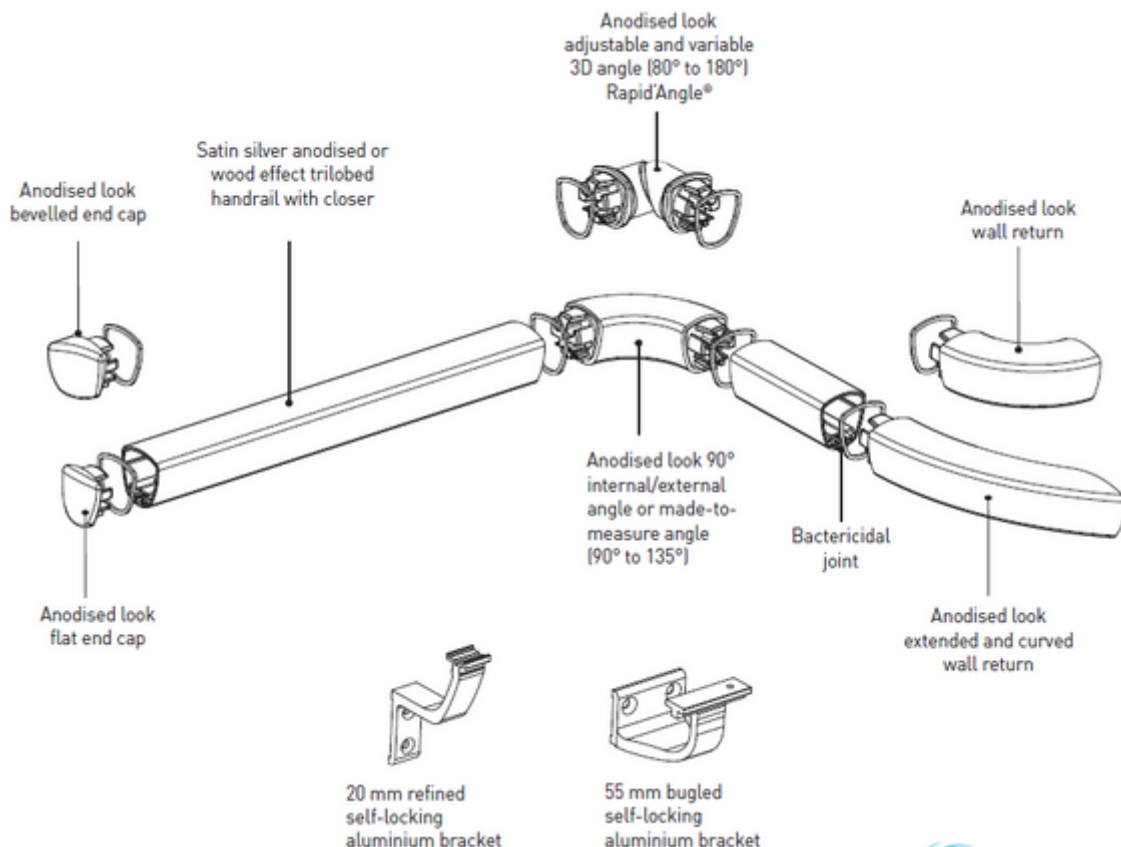
With a wood effect or aluminium finish (satin silver anodised), the Linea'Touch handrails combine design, ergonomics and elegance.

Their exclusive trilobed shape, validated by ergonomics, provides an excellent grip discreetly. Thanks to their large choice of accessories, they fit into all insides of buildings open to the public with light traffic: corridors and staircases in retirement homes, schools, hotels, apartment blocks, public buildings, offices.

They can be bent and provide various technical solutions for continuity in staircases and in front of service ducts. They are fitted with bactericidal joints.

Description

- Model: Linea'Touch Decowood or Anodised trilobed handrail
- Cross section: height 42 mm x width 40 mm
- Length: 4 m
- Overall projection: 80 mm (90 mm on request)
- Stand-off from wall: 40 mm (50 mm on request)
- Material: 10 micron satin silver anodised aluminium or aluminium with wood effect PVC, bactericidal joints
- Fixing components: refined or bugled 2-point self-locking refined aluminium brackets, silver anodised effect screwed to wall at 1.20 m centres (0.80 m centres in heavy traffic corridors and on light partitions like plasterboard)
- Colours:
 - 5 wood effect decors for Linea'Touch - Decowood
 - satin silver anodised for Linea'Touch - Anodised

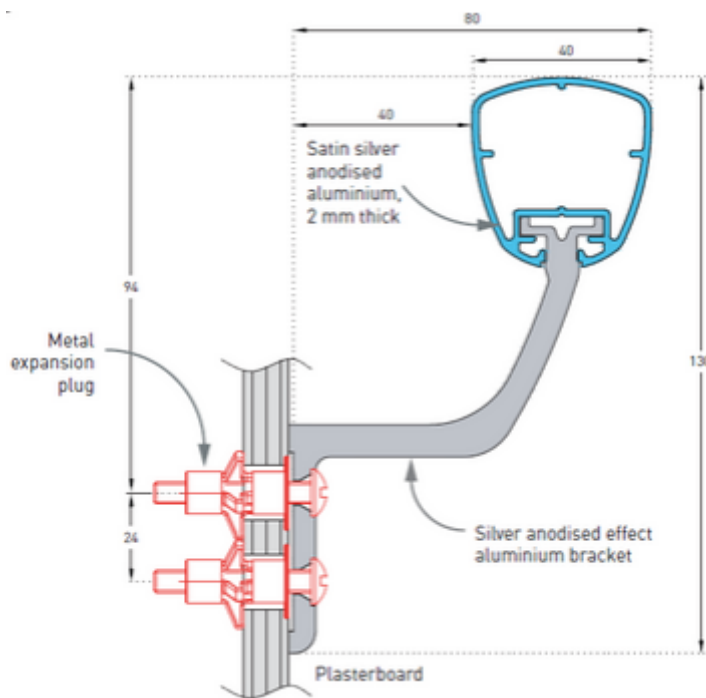




VALIDATED BY
ERGONOMISTS



20 mm refined self-locking silver anodised effect aluminium bracket
(overall projection 80 mm)



Wood effect decor



Linea'Touch Decowood



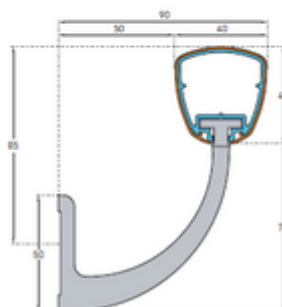
Linea'Touch Anodised



55 mm bugled self-locking silver anodised effect aluminium bracket
(overall projection 80 mm)



80 mm reinforced self-locking silver anodised effect aluminium bracket
(overall projection 90 mm)



Specification

- Description: trilobed wood effect handrail (Linea'Touch - Decowood as manufactured by SPM) or satin silver anodised aluminium (Linea'Touch - Anodised as manufactured by SPM) with a cross section from 28 to 40 mm to give it an ergonomic and anti-rotation design. It is 42 mm high and projects 80 mm from the wall. The axial position of its brackets provides an excellent guiding. It consists of a 2 mm thick satin silver anodised aluminium profile (Linea'Touch - Anodised) or of a 2 mm aluminium profile covered with wood effect PVC film (Linea'Touch - Decowood) and a closer underneath. A protective film is specified to minimise cleaning before acceptance. Various smooth and antibacterial PVC accessories with solid colour (flat or bevelled endcaps, classic or extended and curved wall returns), supplied with bactericidal joints, are available in anodised look to finish the handrail assembly and connect to the profile with joiner pieces. Wall fixing is by silver anodised effect aluminium brackets with 2-point self-locking: 20 mm wide refined bracket or 55 mm wide bugled bracket. The section comprises a groove into which brackets, accessories and closer slide and lock. All technical solutions are available to ensure continuity around corners (90° or made-to-measure), in staircases (Rapid'Angle 3-way "universal joint" rotation), across service ducts (Quick removable assembly wedge) and around curved sections (pre-curved in the factory). This handrail achieves an impact resistance in excess of 70 Joules, i.e., an impact of more than 220 kg travelling at 2 kmh.

- Environment: no heavy metals and no substance potentially subjected to any REACH restriction are used in its manufacture, nor PBT/BPA. The calcium-zinc thermal stabilisation process is used. The emission level of volatile substance in inside air has been tested according to ISO 16000-6 and is very low (A+) according to the French regulation (23 March 2011 nr 2011-321 Decree and 19 April 2011 Order). 100% of the product are recyclable.

- Colour: selected by architects from manufacturer's standard range.

- Installation method: upper edge of section 0.90 m max. above floor level. Fixes to 2-point self-locking aluminium brackets screwed to the wall at 1.20 m centres (0.80 m centres in heavy traffic corridors and on light partitions like plasterboard). Wall returns, end caps and angles to be fixed with 2.5 mm Allen clamping screws.





ESCORT - PVC SHEATHED

Bactericidal Joint

→ ROUND HANDRAIL - DIAMETER 40MM

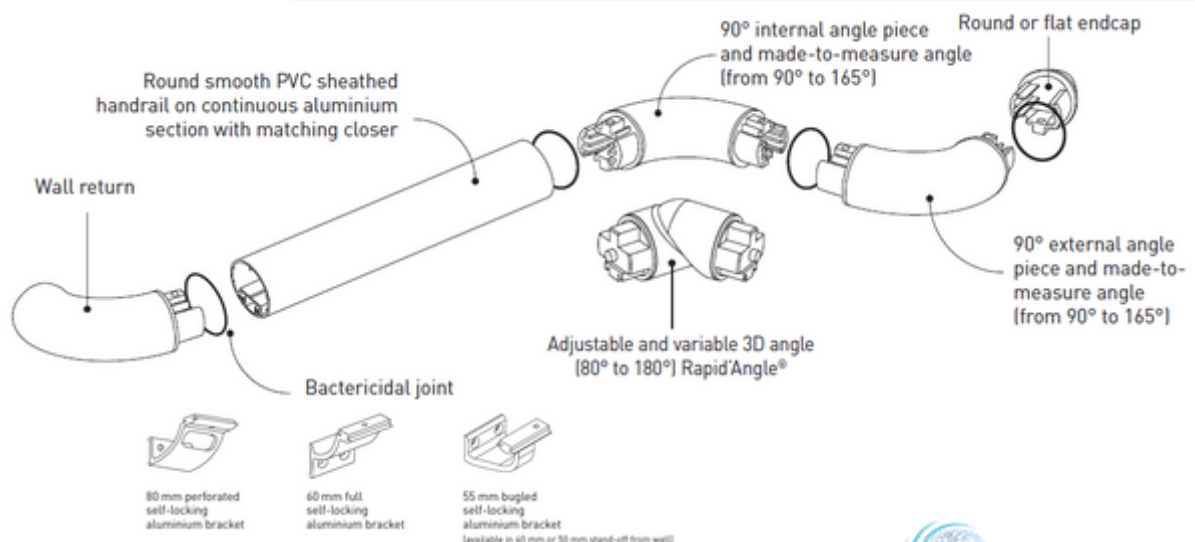
Applications

Escort is designed to provide a high quality grip and classic look. Highly appreciated by mobility-impaired persons for its perfect roundness and pleasant feel, Escort 40 is ideal for all corridors and stairways in retirement homes, hospitals, clinics, rehabilitation centres, collective housing. Escort can be bent for curved sections. A removable system is available to provide continuation of the handrail in front of service ducts. It is fitted with bactericidal joints.

Specification

- Description : round handrail with antibacterial PVC sheath (Escort PVC sheathed as manufactured by SPM) with a diameter of 40 mm and an overall projection and height of 80 mm. It consists of a 1.5 mm thick continuous aluminium profile covered by a 1.5 mm thick smooth and antibacterial PVC sheath achieving Bs2d0 fire rating with solid colour, and a matching closer underneath. A protective film is specified to minimise cleaning before acceptance. Various smooth and antibacterial PVC accessories with solid colour (round or flat endcaps, external and internal 90° angle pieces or made-to-measure from 90 to 165°, wall returns), supplied with bactericidal joints, are available to finish the handrail assembly. Wall fixing is by 40 mm deep satin silver anodised aluminium brackets with 2-point self-locking: curved and perforate (80 mm wide), curved and full (60 mm wide) or bugled (55 mm wide). The section comprises a groove into which brackets, accessories and matching closer slide and lock. Accessories are fitted on the section and fixed with locking screws. All technical solutions are available to ensure continuity around corners (90° or made-to-measure), in staircases (slope

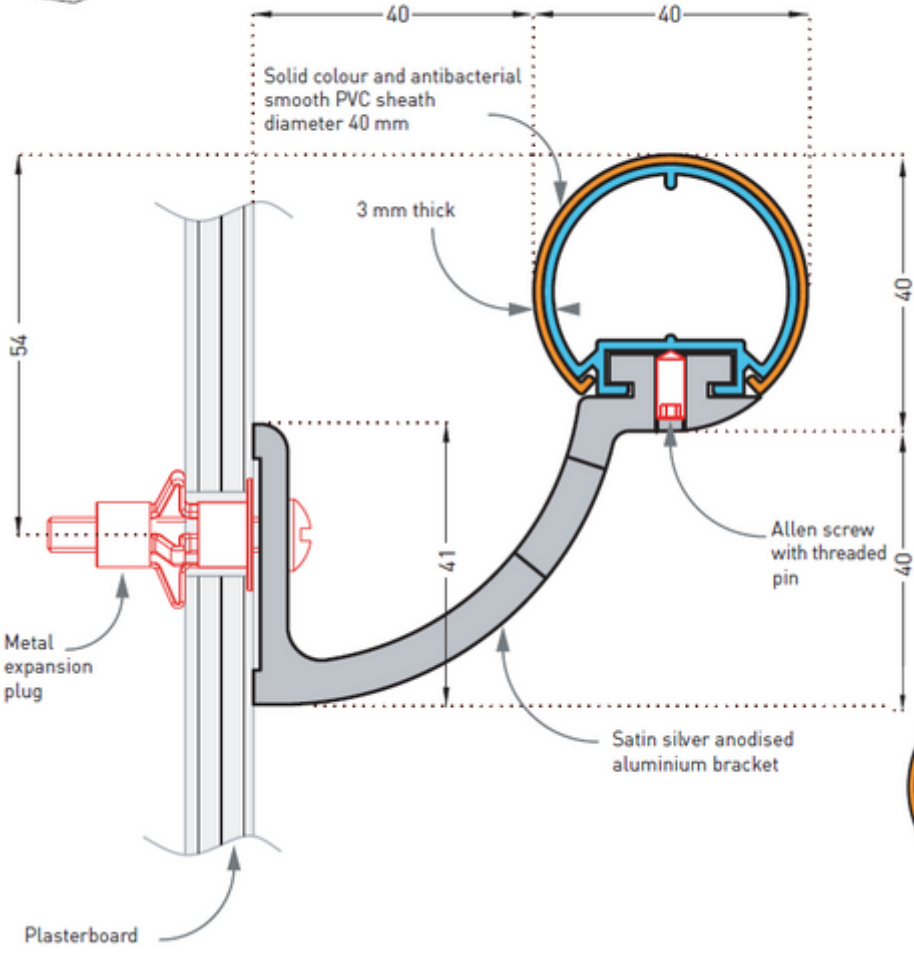
- link or 3-way "universal joint" rotation angle - Rapid'Angle as manufactured by SPM-), across service ducts (quick removable assembly wedge or articulated link - Rapid'Access as manufactured by SPM-) and around curved sections (pre-curved in the factory).
- Environment: no heavy metals and no substance potentially subjected to any REACH restriction are used in its manufacture, nor PBT/BPA. The calcium-zinc thermal stabilisation process is used. The emission level of volatile substance in inside air has been tested according to ISO 16000-6 and is very low (A+) according to the French regulation (23 March 2011 nr 2011-321 Decree and 19 April 2011 Order). 100% of the product are recyclable.
- Colour: selected by architects from manufacturer's standard range. The colours of the accessories are the same as the profile of the protection handrail.
- Installation method: upper edge of section 0.90 m max. above floor level. Fixes to 2-point self-locking perforated aluminium brackets screwed to the wall at 1.20 m centres (0.80 m centres in heavy traffic corridors and on light partitions like plasterboard). Wall returns, endcaps and angles to be fixed with 2.5 mm Allen clamping screws.



Escort
31 colours

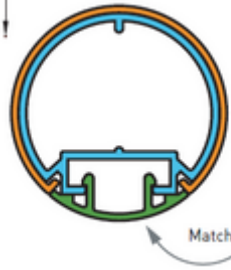


80 mm perforated
self-locking satin silver anodised
aluminium bracket (overall projection 80 mm)

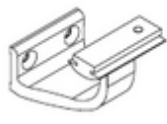
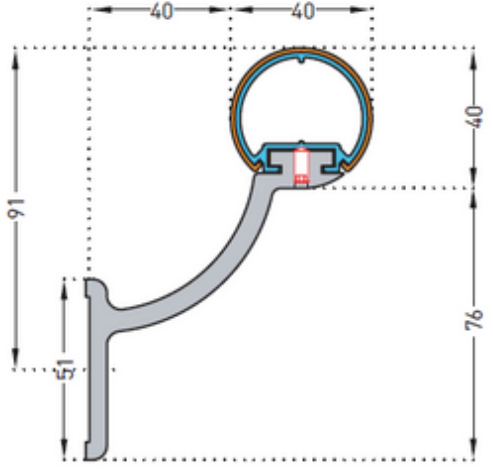


Description

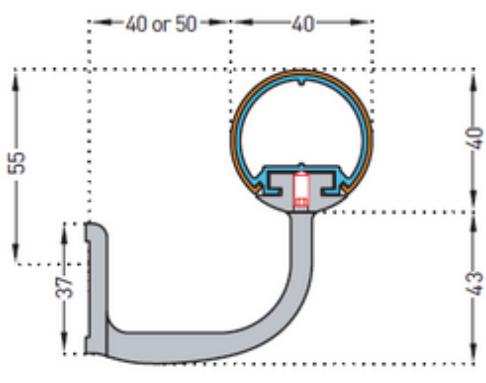
- Model: Escort PVC sheathed round handrail
- Diameter: 40 mm
- Length: 4 m
- Overall projection: 80 mm or 90 mm
- Stand-off from wall: 40 mm or 50 mm
- Material: antibacterial and Bs2d0 fire-rated PVC, solid colour, on continuous aluminium section, bactericidal joints
- Fixing components: 2-point self-locking brackets, satin silver anodised aluminium, screwed to wall at 1.20 m centres (0.80 m centres in heavy traffic areas and on light partitions like plasterboard)
- Colours: 31 standard



60 mm full
self-locking satin silver anodised
aluminium bracket
(overall projection 80 mm)



55 mm bugled
self-locking satin silver anodised
aluminium bracket
(available in 40 mm or 50 mm stand-off from wall)
(overall projection 80 mm or 90 mm)





Bactericidal Joint



ESCORT - DECOWOOD

ESCORT - ANODISED

→ ROUND HANDRAIL - DIAMETER 40MM

Applications

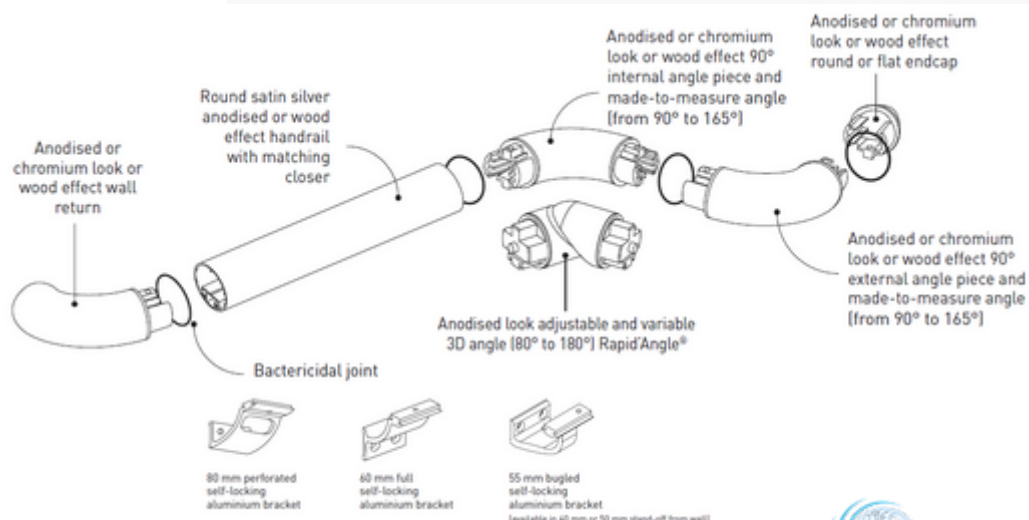
Particularly elegant handrails with a wood effect or an aluminium finish (satin silver anodised) and curved, unobtrusive brackets. They are ideal for all buildings open to the public: corridors and stairways in retirement homes, schools, hotels, residential apartment buildings, offices, etc. Escort can be bent for curved sections. A removable system is available to provide continuation of the handrail in front of service ducts. They are fitted with bactericidal joints.

Specification

- Description : round wood effect handrail (Escort - Decowood as manufactured by SPM) or satin silver anodised aluminium (Escort - Anodised as manufactured by SPM) with a diameter of 40 mm and an overall projection and height of 80 mm. It consists of a 1.5 mm thick continuous aluminium profile and a matching closer underneath. A protective film is specified to minimise cleaning before acceptance. Various smooth and antibacterial PVC accessories (round or flat endcaps, external and internal 90° angle pieces or made-to-measure from 90 to 165°, wall returns), supplied with bactericidal joints, are available in wood effect or anodised look or chromium look to finish the handrail assembly. Wall fixing is by 40 mm deep satin silver anodised aluminium brackets with 2-point self-locking: curved and perforated (80 mm wide), curved and full (60 mm wide) or bugled (55 mm wide). The section comprises a groove into which brackets, accessories and matching closer slide and lock. Accessories are fitted on the section and fixed with locking screws. All technical solutions are available to ensure continuity around corners (90° or

made-to-measure), in staircases (slope link or 3-way "universal joint" rotation angle -Rapid'Angle as manufactured by SPM-), across service ducts (quick removable assembly wedge or articulated link -Rapid'Access as manufactured by SPM-) and around curved sections (pre-curved in the factory).

- Environment: no heavy metals and no substance potentially subjected to any REACH restriction are used in its manufacture, nor PBT/BPA. The calcium-zinc thermal stabilisation process is used. The emission level of volatile substance in inside air has been tested according to ISO 16000-6 and is very low (A+) according to the French regulation (23 March 2011 nr 2011-321 Decree and 19 April 2011 Order). 100% of the product are recyclable.
- Colour: selected by architects from manufacturer's standard range.
- Installation method: upper edge of section 0.90 m max. above floor level. Fixes to 2-point self-locking perforated aluminium brackets screwed to the wall at 1.20 m centres (0.80 m centres in heavy traffic corridors and on light partitions like plasterboard). Wall returns, endcaps and angles to be fixed with 2.5 mm Allen clamping screws.



Escort - Decowood
3 finishes
for accessories



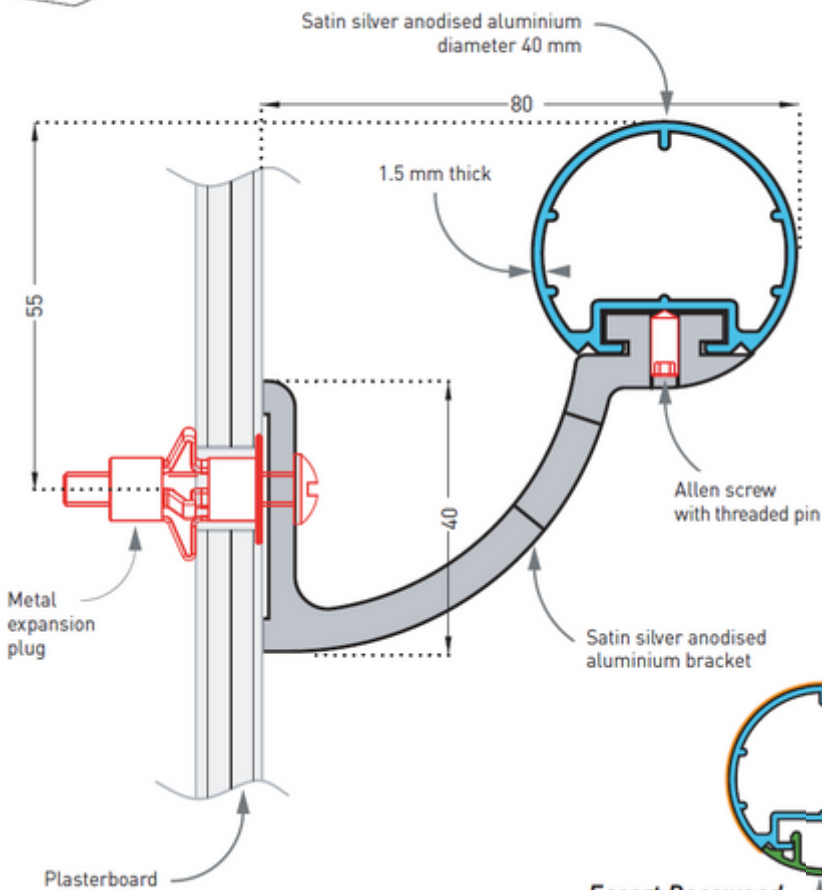
Escort - Decowood
5 wood effect colours



Escort - Anodised

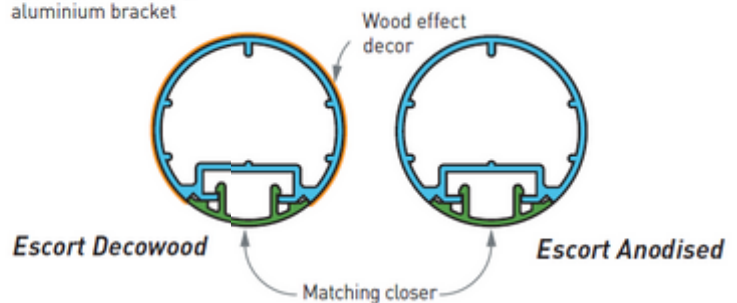


80 mm perforated
self-locking satin silver anodised
aluminium bracket (overall projection 80 mm)

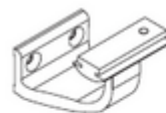
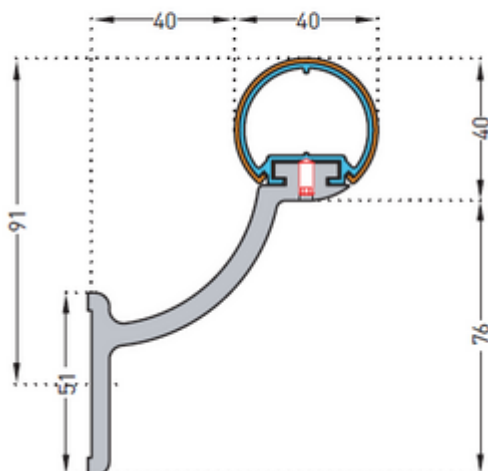


Description

- Model: Escort - Decowood or Escort - Anodised round handrail
- Diameter: 40 mm
- Length: 4 m
- Overall projection: 80 mm or 90 mm
- Stand-off from wall: 40 mm or 50 mm
- Material: 10 micron satin silver anodised aluminium or wood effect PVC
- Fixing components: 2-point self locking brackets, satin silver anodised aluminium, screwed to wall at 1.20 m centres (0.80 m centres in heavy traffic corridors and on light partitions like plasterboard)
- Colours:
 - 5 wood effect colours for Escort - Decowood
 - Satin silver anodised for Escort - Anodised
 - Coating on request.



60 mm full
self-locking satin silver anodised
aluminium bracket
(overall projection 80 mm)



55 mm bugled
self-locking satin silver anodised
aluminium bracket
(available in 40 mm or 50 mm stand-off from wall)
(overall projection 80 mm or 90 mm)

